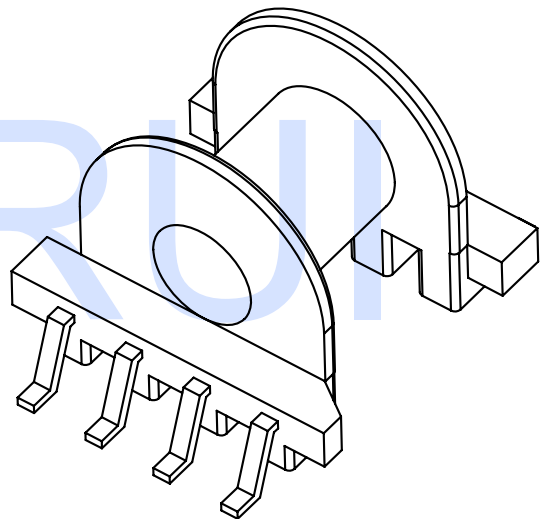
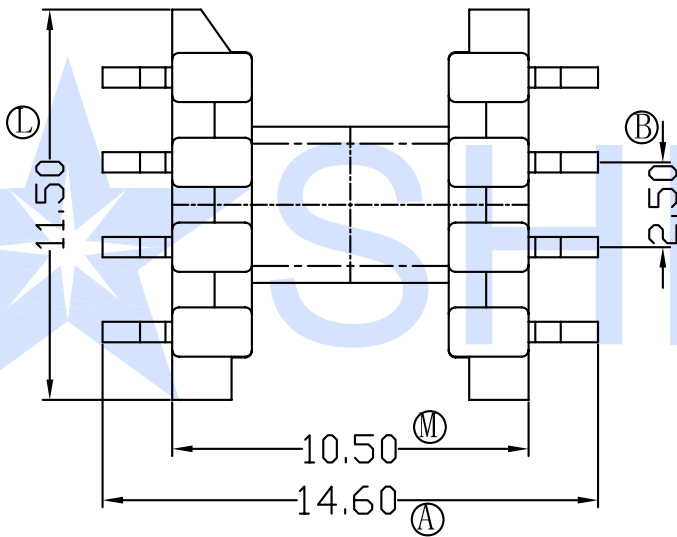
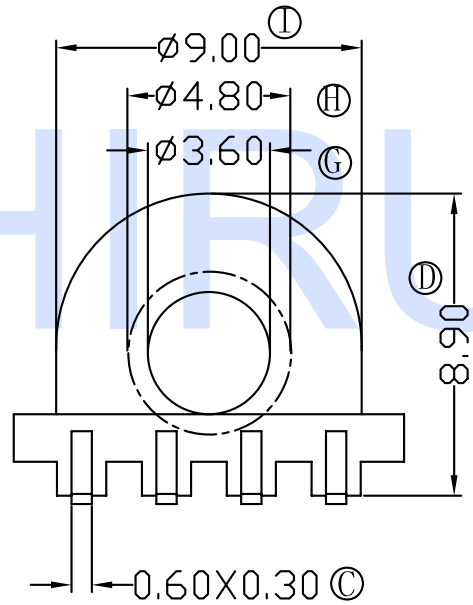
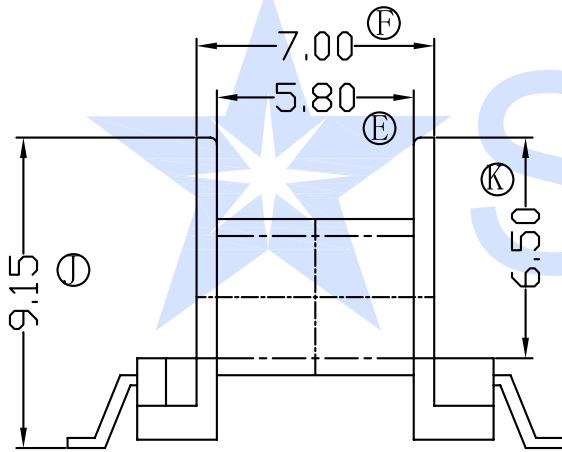


P/N

SR-SMD EP1001

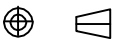


**Hefei Shirui Electronic Technology Co., Ltd**

TEL : (0086) 55165232650

sales@shiruitech.com

www.shiruitech.com

SR NO. <b>SR-SMD EP1001</b>	MATERIAL: LCP-E4008	UNIT: mm TOLERANCE	DRN.	WILL H
MODEL NAME: <b>SMD-EP10-8P-1S</b>	UL REC: UL 94V-0  ANGLE: ±°  SCALE 1:1	0 L 4 ±0.10 4 L 16 ±0.20 16 L 64 ±0.30 PIN PITCH ±0.05	CHD.	IRINA LEE  ISSD.